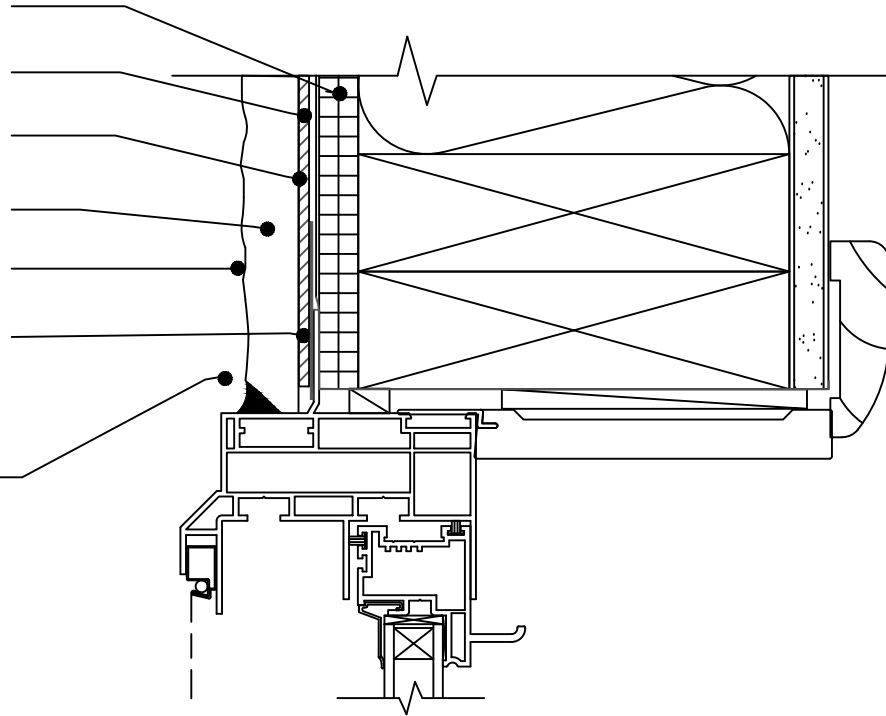


## JAMB, SILL AND HEAD DETAIL

- APPROVED SHEATHING
- APPROVED HOUSEWRAP
- STRUCTALATH TWIN TRACK 2.5
- 3/4" CEMENT PLASTER
- 12 MIL (min) DRYLOK EXTREME
- APPROVED FLASHING TAPE
- "V" SEALANT SOCKET WITH TOOLED APPROVED SEALANT



## SCS 06\_02 WINDOW FIN INTERFACE WITH EXTRUDED SHOULDER

Note:  
Details to be used in conjunction with all applicable provisions contained in the Sealed Cladding System Design Manual.

Sealed Cladding System

07/01/2020

SCS 06\_02