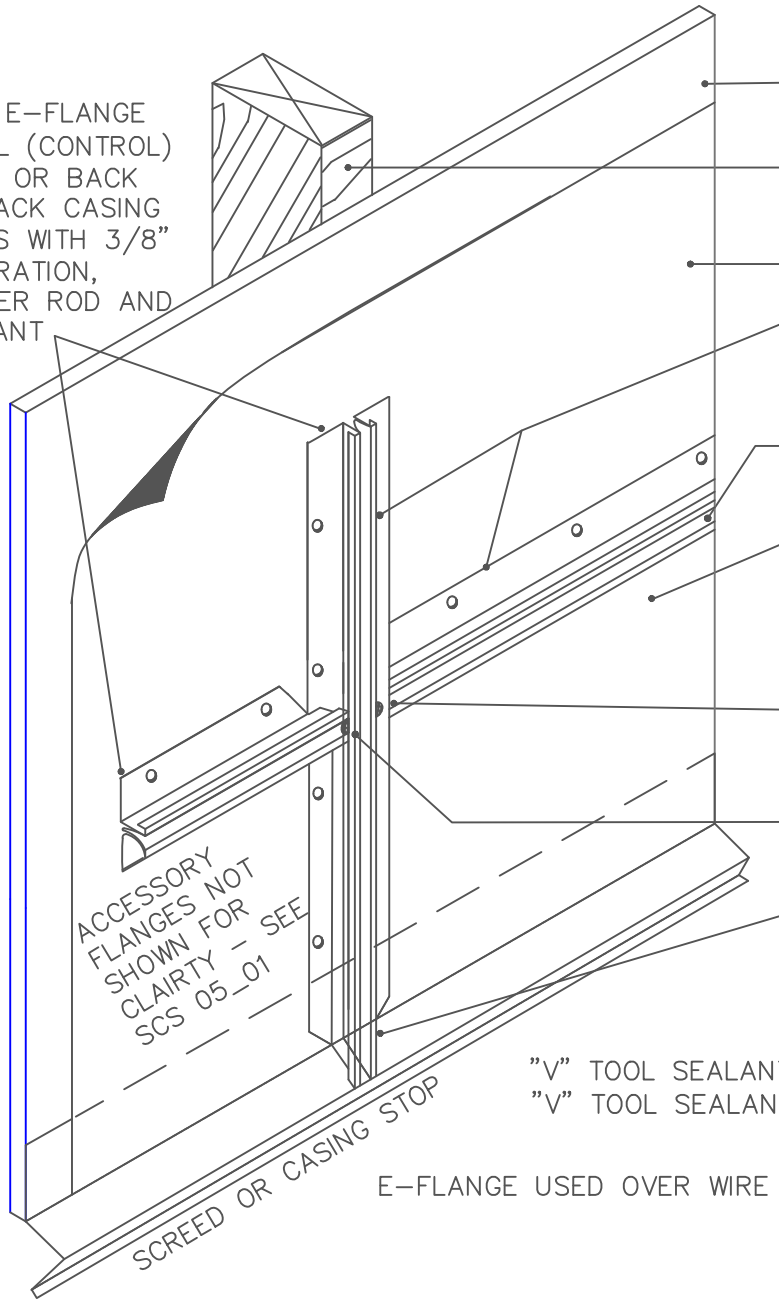


3/4" E-FLANGE
 PANEL (CONTROL)
 JOINT OR BACK
 TO BACK CASING
 STOPS WITH 3/8"
 SEPARATION,
 BACKER ROD AND
 SEALANT



STRUCTURAL SHEATHING ATTACHED
 PER APPLICABLE CODE REQUIREMENTS

FRAMING MEMBERS GRADE AND SPACING
 PER APPLICABLE CODE REQUIREMENTS,

TYPAR HOUSE WRAP

VERTICAL AND HORIZONTAL PANEL
 (CONTROL) JOINTS SPACED PER
 CONTRACT DOCUMENTS

HORIZONTAL JOINTS ABUT VERTICALS

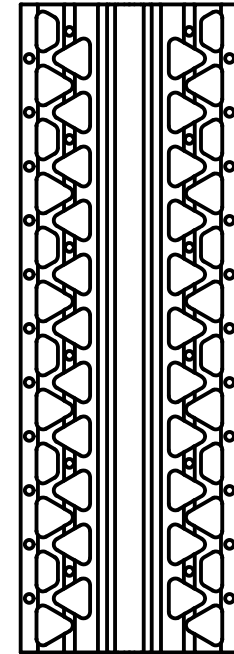
STRUCTALATH NOT SHOWN FOR CLARITY
 STRUCTALATH INSTALLED AFTER PLACEMENT
 OF ACCESSORY. LAP WIRE AND SCREW
 THROUGH JOINT FLANGES.

EMBED PANEL JOINTS FULLY EMBEDDED
 IN SEALANT AT ALL INTERSECTIONS
 AND WHERE ENDS ABUT

CUT FLANGES OF PANEL JOINT
 SO AS TO CREATE A TIGHT FIT
 WITH A UNIFORM DEPTH
 SET IN SEALANT

"V" TOOL SEALANT SOCKET ALONG ALL SIDES OF ALL ACCESSORIES
 "V" TOOL SEALANT SOCKET NOT SHOWN - SEE SCS 05_01

E-FLANGE USED OVER WIRE LATH - STANDARD FLANGE OVER CMU'S



E-FLANGE FACE VIEW

SCS 05_02 E-FLANGE PANEL (CONTROL) JOINT ISOMETRIC

Note:
 Details to be used in conjunction with all
 applicable provisions contained in the
 Sealed Cladding System Design Manual.

Sealed Cladding System

07/01/2020

SCS 05_02