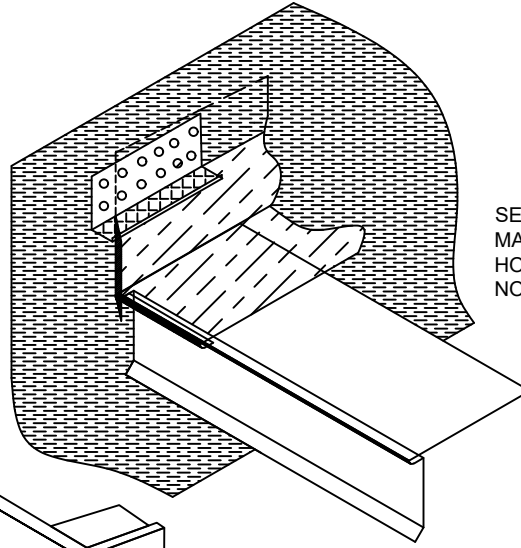
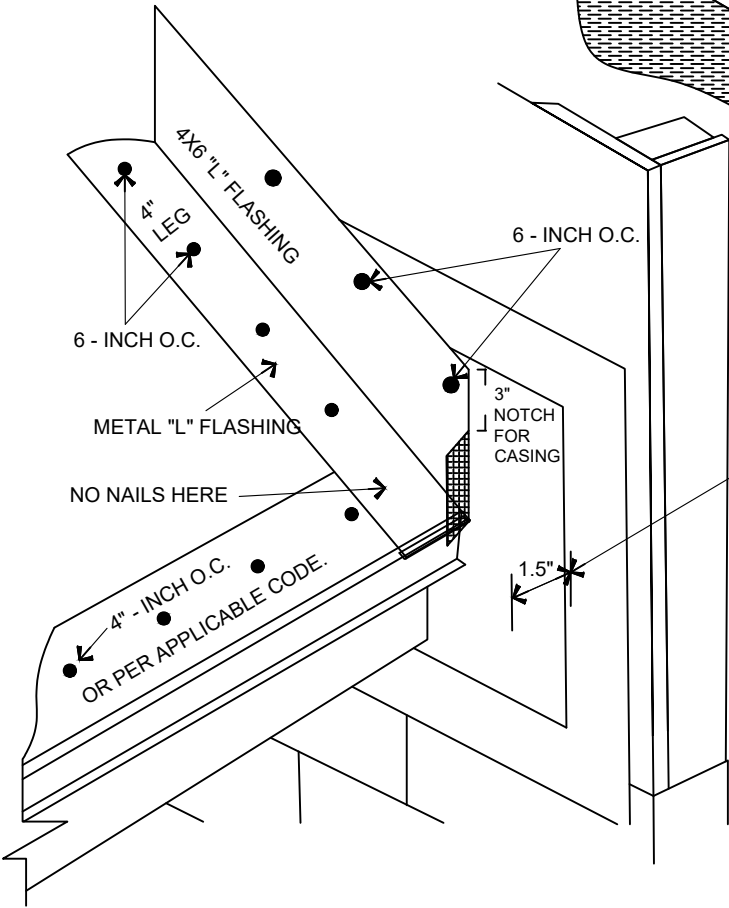


SEALANTS, DIMENSIONS AND DETAILS OMITTED FOR CLARITY. SEE DETAIL 01\_02 AND THE SEALED CLADDING DESIGN MANUAL FOR ADDITIONAL INFORMATION



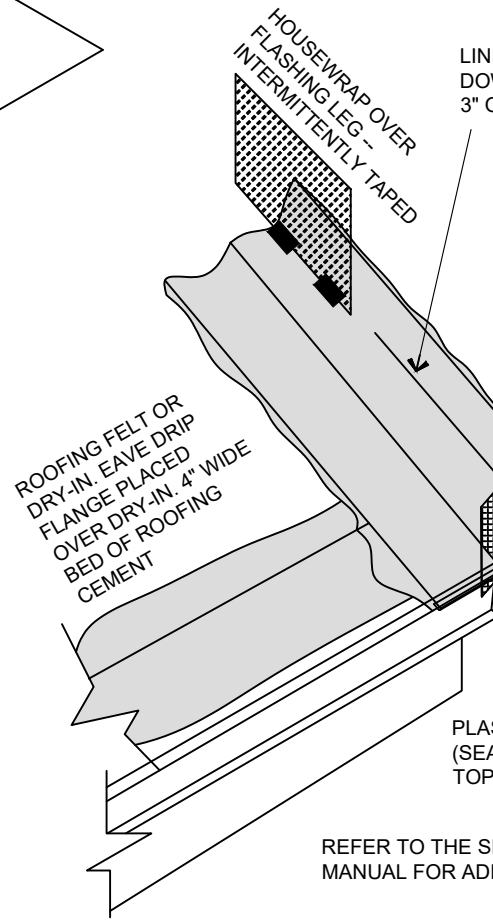
SEE SEALED CLADDING DESIGN MANUAL FOR FABRICATION OF HOOKED KICKOUT - ISOMETRICS NOT TO SCALE



SCS 01\_01 KICKOUT USING HOOK FLASHING AT EAVE LINE

CONTINUOUS 4X6 " L" METAL FLASHING AND HOOKED KICK-OUT FLASHING TO EXTEND A MINIMUM OF 1.5" INCHES FROM THE WALL. SEALANTS ELIMINATED FOR CLARITY. TOOL SEALANT BEAD AT FACE OF FINISHED CEMENT CLADDING.

1-1/4" ROOFING NAIL 6" O.C. ON THE TOP AND 6" O.C. AT THE BOTTOM OF THE METAL L-FLASHING



SCS 01\_01A KICKOUT FLASHING SEALANT ISOMETRIC

LINE OF CASING STOP 3" DOWN FROM TOP LEAVING 3" OF FLASHING EXPOSED.

BED OF PLASTIC ROOFING CEMENT (SEALANT) UNDER 4X6 CONTINUOUS "L" FLASHING. BED UNDER BOTH HORIZONTAL AND VERTICAL LEGS.

PLACE HOUSEWRAP OVER FLASHING SECURING WITH INTERMITTENT HOUSEWRAP TAPE.

DO NOT PLACE FLASHING OVER HOUSEWRAP. MOST HOUSEWRAPS ARE INCOMPATIBLE WITH PETROLEUM BASED ROOFING CEMENTS

PLASTIC ROOFING CEMENT (SEALANT) TROWELED ON TOP OF EAVE DRIP FLANGE.

REFER TO THE SEALED STUCCO DESIGN MANUAL FOR ADDITIONAL DETAILS

Note:  
Details to be used in conjunction with all applicable provisions contained in the Sealed Cladding System Design Manual.

Sealed Cladding System

07/01/2020

SCS 01\_01